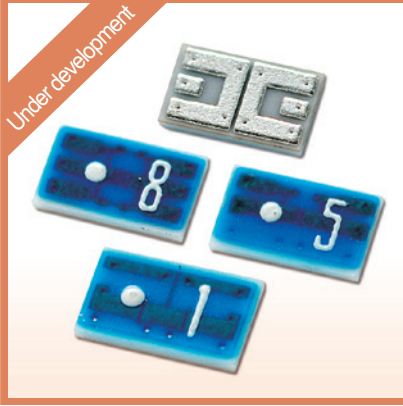


Under development



High Frequency Chip Attenuator

■ATS series

Features

- Attenuation range up to 30GHz
- Internal circuit specially designed for 0-10dB attenuation.
- Miniature surface mount chip attenuator (2012 size)
- Signal line sandwiched by ground – excellent heat dissipation and low noise.

Applications

- Wireless communication devices and base stations
- Wireless communication modules



◆Part numbering system

ATS 2012 - 10dB - T1

Series code

Size : ATS2012

Packing quantity :
T1 (1,000pcs) , T05 (500pcs)

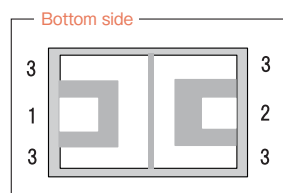
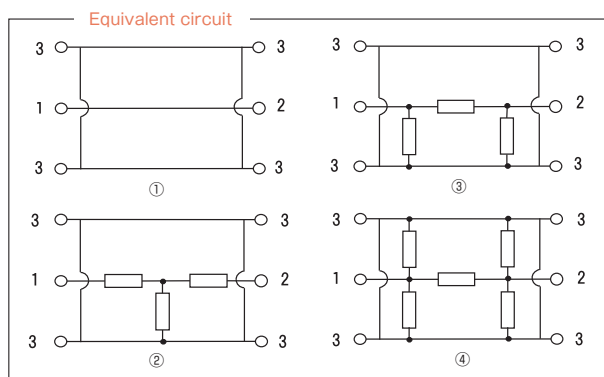
Attenuation : 2 digit
(example 00dB= 0dB, 10dB= 10.0dB)

◆Electrical Specification

Type	ATS2012			
Attenuation	0dB	1~2dB(1dB step)	3~7dB(1dB step)	8~10dB(1dB step)
Circuit Type	Thru	Tee	Pi (π)	Dual pi (Dual π)
Equivalent circuits	①	②	③	④
Attenuation tolerance	± 0.25 dB(DC~10GHz)、 ± 0.5 dB(10~20GHz)、 ± 0.75 dB(20~30GHz)			
V S W R	TBD			
Impedance	50 Ω			
Operating frequency	DC~30GHz			
Rated power	100mW			
Rated operating temperature	70 $^{\circ}$ C			
Operating temperature	-55 $^{\circ}$ C~+125 $^{\circ}$ C			
Packaging quantity	500pcs/reel(T05)			
	1,000pcs/reel(T1)			

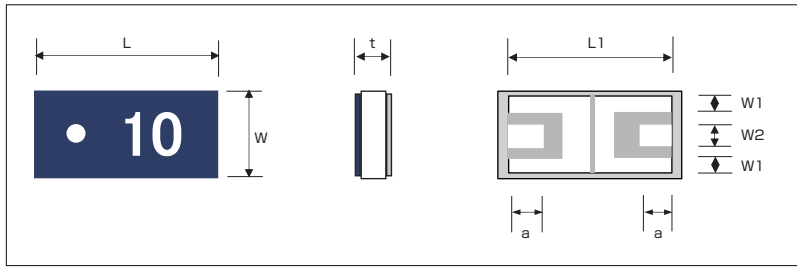
* : Same specification may be updated because this product is still under development. Please contact our Sales for the latest specification and the information related to this product.

◆Equivalent Circuit and pin arrangement



1 : Input pin
2 : Output pin
3 : GND

◆ Dimensions



Type	Size (inch)	L	W	t	L1	a	W1	W2
ATS2012 ^{*1}	0805	2.00±0.20	1.22±0.20	max 0.40	1.80	0.36	0.25	0.25

(unit : mm)

*1 : The terminal design and the dimension on the back side may be updated as we improve the product's performance. Please contact our Sales for the latest specification and the information related to this product.

◆ Derating Curve

